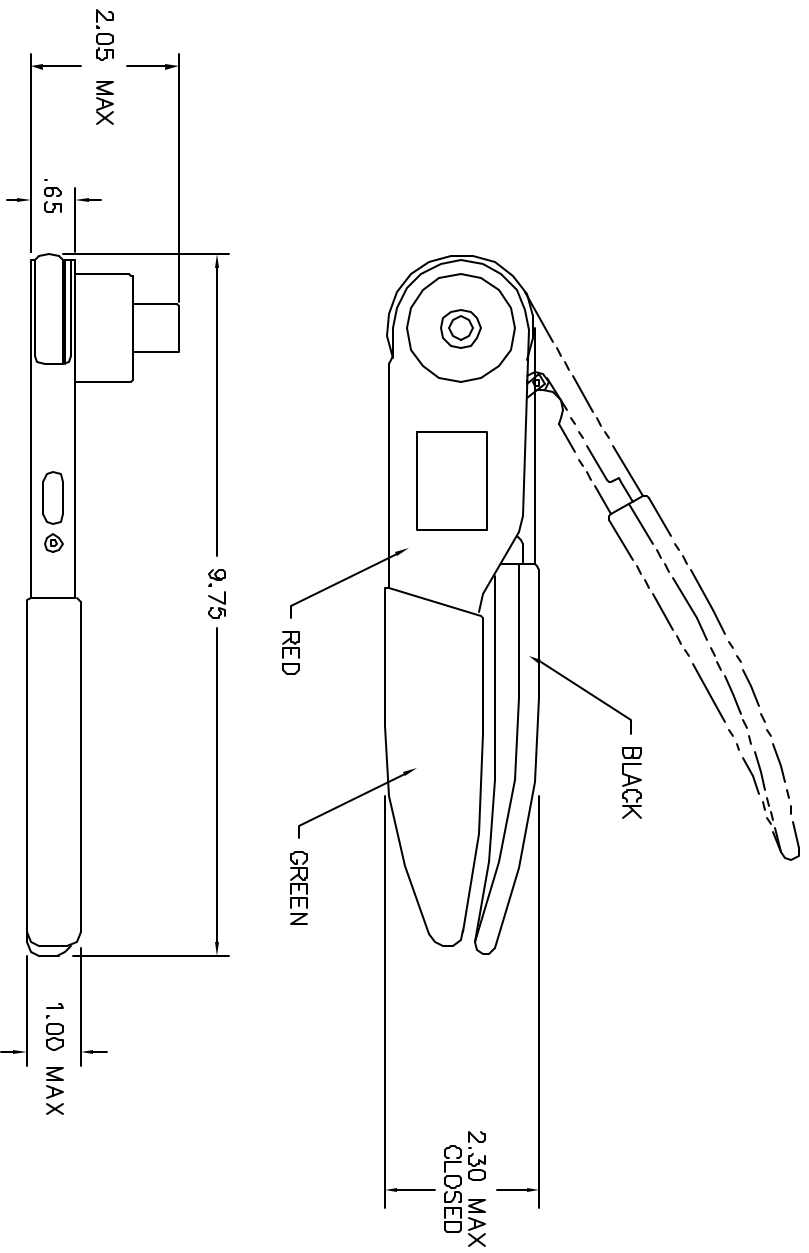


REVIEWS				
REV. SYM.	EC.O. NUMBER	DESCRIPTION	BY DATE	APP'D DATE
2		HANDLE BOOT WAS GREEN	RAM 4-8-02	RRR 4-8-02



TOOL NO. 1001-11	WIRE
GAGE 60 .040 60 .045	* 20.18
CONTACTS:	
M39029/4-111	
M39029/5-116	
* 27% NICKEL WIRE	

DATAPLATE

UNCONTROLLED DOCUMENT
WILL NOT BE UPDATED

RESTRICTED & CONFIDENTIAL		CONFIDENTIAL PROPERTY OF DANIELS MANUFACTURING CORP. NOT TO BE REPRODUCED OR USED FOR ANY OTHER PURPOSE EXCEPT AS AUTHORIZED IN WRITING BY DANIELS MANUFACTURING. MUST BE RETURNED TO DANIELS MANUFACTURING CORP. ON COMPLETION OF ORDER OR OTHER PURPOSE FOR WHICH MADE.	
ITEM	PART NO.	QTY.	DESCRIPTION/REMARKS
DRN. A. MDO-YOUNG	DATE 8-22-00		
CHK'D. RRR	DATE 8-22-00		
APPR'D.	DATE		
TITLE		WHERE USED	
ENVELOPE DRAWING		CAD P/N	
SPECIAL PURPOSE TOOL		1001-11-ENV	
SIZE SCALE		SHEET OF	
B NTS		1 OF 1	
POSITION		P/N 1001-11-ENV	
		REV. 2	

DO NOT SCALE DRAWING