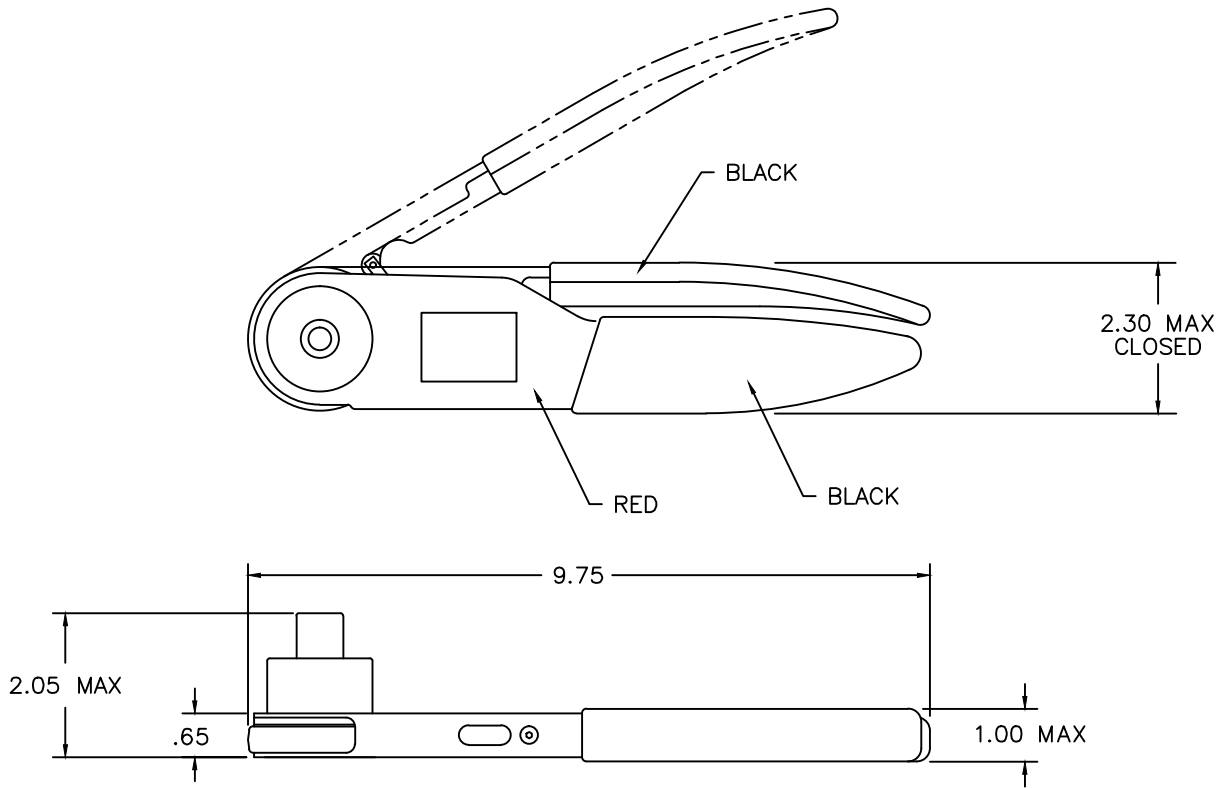


This document is for reference only. Users must assure they are using the correct revision.


REVISIONS				
REV. SYM.	E.C.O. NUMBER	DESCRIPTION	BY DATE	APP'D DATE
1		ORIGINAL RELEASE	K. KOONS 5.24.11	



Tool No. 1001-12	Wire
Gage Go .035 No Go .040	*22
Contact:	
M39029/30-217	
* 27% NICKEL WIRE	

DATAPLATE

**UNCONTROLLED DOCUMENT
WILL NOT BE UPDATED**
DIMENSIONS IN INCHES - UNLESS OTHERWISE SPECIFIED

RESTRICTED & CONFIDENTIAL		ITEM	PART NO.	QTY.	DESCRIPTION/REMARKS		
CONFIDENTIAL PROPERTY OF DANIELS MANUFACTURING CORP. NOT TO BE DISCLOSED TO OTHERS, REPRODUCED OR USED FOR ANY OTHER PURPOSE, EXCEPT AS AUTHORIZED IN WRITING BY DANIELS MANUFACTURING. MUST BE RETURNED TO DANIELS MANUFACTURING CORP. ON COMPLETION OF ORDER OR OTHER PURPOSE FOR WHICH LENT.		DRN. KIRK C KOONS	DATE 5.24.11		 DANIELS MANUFACTURING CORP. ORLANDO, FLORIDA CAGE 11851		
		CHK'D.	DATE				
		APP'D.	DATE		TITLE	ENVELOPE DRAWING SPECIAL PURPOSE TOOL	
		APP'D.	DATE		WHERE USED:		
DO NOT SCALE DRAWING		NOTE: THIS DRAWING IS AN OUTLINE DRAWING OF THE RESPECTIVE DMC PART NUMBER INDICATED. ACTUAL DMC PART NUMBER IS DRAWING NUMBER WITHOUT THE "-ENV" SUFFIX.		SIZE B	SCALE NTS	CAD P/N 1001-12-ENV	SHEET 1 OF 1
		POSTING		DWG. NO. 1001-12-ENV	REV. 1		