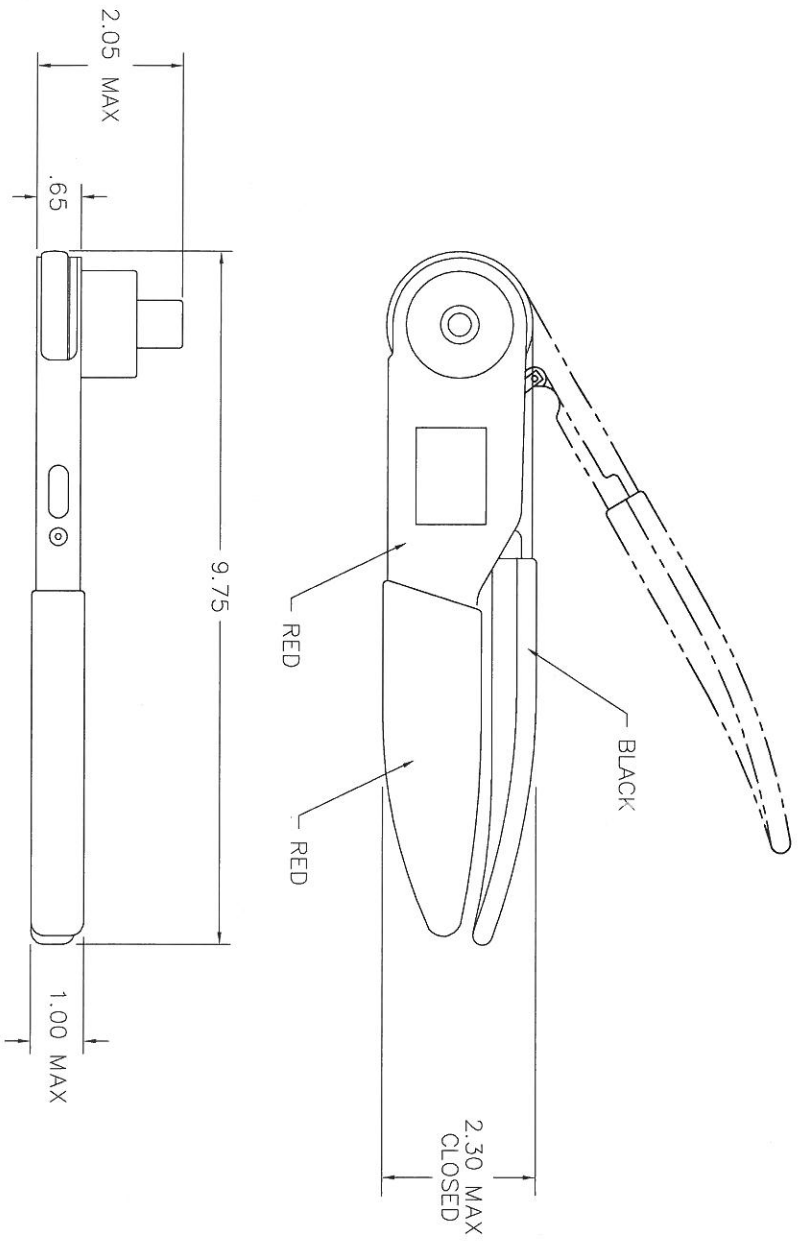


Users must assure they are using the correct revision



REVISIONS			
REV SYM	E.C.O. NUMBER	DESCRIPTION	BY DATE
1		ORIGINAL RELEASE	TD 10/5/15

Tool No.	1502-1	Wire	20
Gage	Go .039 No .044		
Contact:	AMP		
	200681		

DATAPLATE

RESTRICTED & CONFIDENTIAL
 CONFIDENTIAL PROPERTY OF DANIELS MANUFACTURING CORP. NOT TO BE DISCLOSED TO OTHERS, REPRODUCED OR USED FOR ANY OTHER PURPOSE, EXCEPT AS AUTHORIZED IN WRITING BY DANIELS MANUFACTURING CORP. ON COMPLETION OF ORDER OR OTHER PURPOSE FOR WHICH LENT.

DO NOT SCALE DRAWING

ITEM	PART NO.	QTY.	DESCRIPTION/REMARKS
DRW. <i>Jerry Silveoli</i> 10/5/15			
CHK'D.	DATE		
APP'D.	DATE		
APP'D.	DATE		

NOTE: THIS DRAWING IS AN OUTLINE DRAWING. THE NUMBER INDICATED ACTUAL DMG PART NUMBER IS DRAWING NUMBER WITHOUT THE "-ENV" SUFFIX.

WHERE USED:

SIZE	SCALE	CAD P/A	SHEET
B	NTS	1502-1-ENV	1 OF 1

TITLE: ENVELOPE DRAWING
SPECIAL PURPOSE TOOL

DMG NO. 1502-1-ENV

REV. 1

DMG DANIELS MANUFACTURING CORP.
ORLANDO, FLORIDA
CAGE 11851