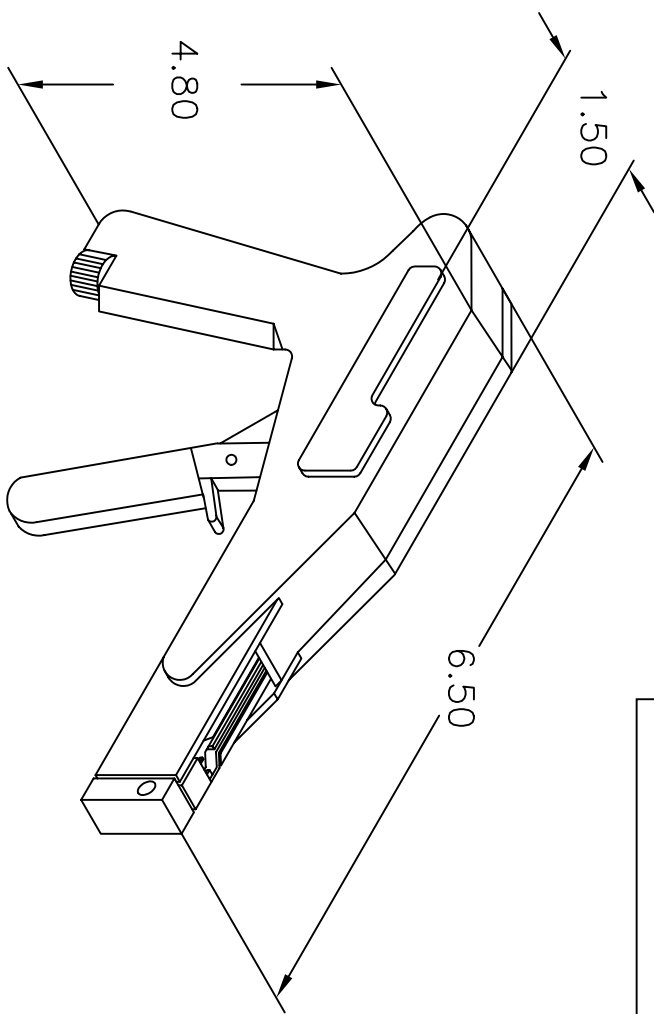


| REVISIONS | | | | |
|-----------|---------------|------------------|-------------|-------------|
| REV. SYM. | E.C.O. NUMBER | DESCRIPTION | BY DATE | APP'D DATE |
| 1 | | ORIGINAL RELEASE | JMC 8-14-03 | JWJ 8-14-03 |

**UNCONTROLLED DOCUMENT
WILL NOT BE UPDATED**



RESTRICTED & CONFIDENTIAL

CONFIDENTIAL PROPERTY OF DANIELS MANUFACTURING CORP. NOT TO BE DISCLOSED TO OTHERS, REPRODUCED OR USED FOR ANY OTHER PURPOSE, EXCEPT AS AUTHORIZED IN WRITING BY DANIELS MANUFACTURING. MUST BE RETURNED TO DANIELS MANUFACTURING CORP. ON COMPLETION OF ORDER OR OTHER PURPOSE FOR WHICH LENT.

DO NOT SCALE DRAWING

| | | | |
|--------|-----|------|---------|
| DRN. | JMC | DATE | 8-14-03 |
| CHK'D. | JWJ | DATE | 8-14-03 |
| APP'D. | | DATE | |
| APP'D. | | DATE | |

NOTE: THIS DRAWING IS AN OUTLINE DRAWING OF THE RESPECTIVE DMC PART NUMBER INDICATED. ACTUAL DMC PART NUMBER IS DRAWING NUMBER WITHOUT THE "-ENV" SUFFIX.

WHERE USED:

| SIZE | SCALE | CAD P/N | SHEET |
|---------|-------|------------|-------|
| A | NTS | 41-990-ENV | 1 |
| POSTING | | DWG. NO. | REV. |
| | | 41-990-ENV | 1 |

DMC DANIELS MANUFACTURING CORP.
ORLANDO, FLORIDA
CAGE 11851

TITLE
CABLE TIE TOOL
ENVELOPE DRAWING