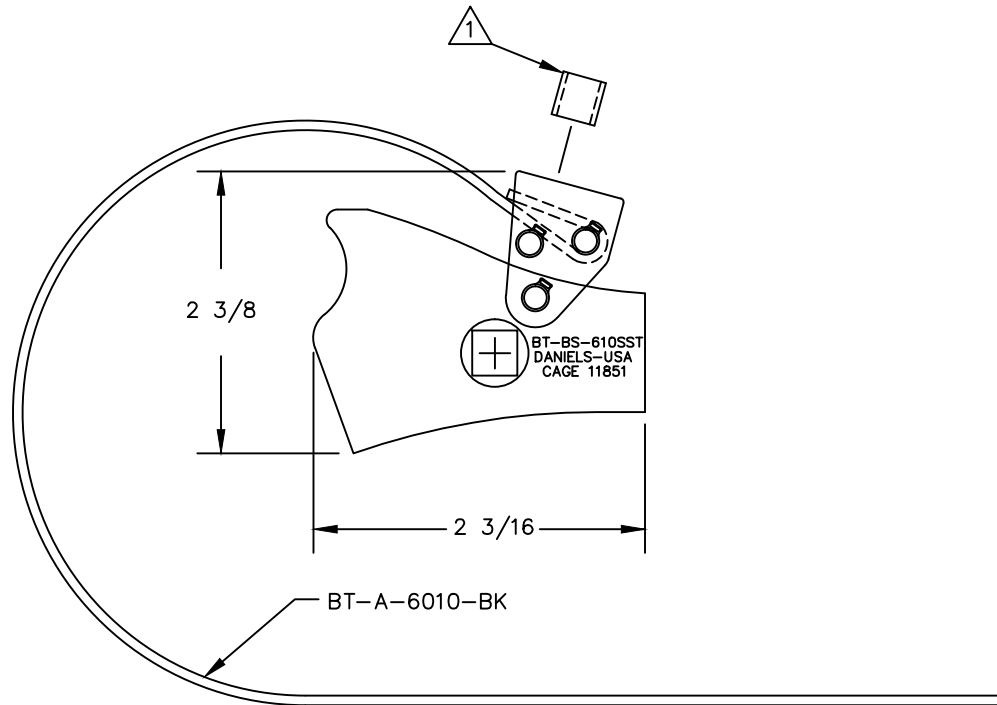


REVISIONS				
REV. SYM.	E.C.O. NUMBER	DESCRIPTION	BY DATE	APP'D DATE
1		ORIGINAL RELEASE	K. KOONS 12.12.14	RRR 12.12.14




**UNCONTROLLED DOCUMENT
WILL NOT BE UPDATED**

DIMENSIONS IN INCHES - UNLESS OTHERWISE SPECIFIED

1 TIGHTEN SET SCREW BY HAND BUT DO NOT OVERTIGHTEN.

NOTES:

RESTRICTED & CONFIDENTIAL CONFIDENTIAL PROPERTY OF DANIELS MANUFACTURING CORP. NOT TO BE DISCLOSED TO OTHERS, REPRODUCED OR USED FOR ANY OTHER PURPOSE, EXCEPT AS AUTHORIZED IN WRITING BY DANIELS MANUFACTURING. MUST BE RETURNED TO DANIELS MANUFACTURING CORP. ON COMPLETION OF ORDER OR OTHER PURPOSE FOR WHICH LENT.	MATERIAL	ITEM	PART NO.	QTY.	DESCRIPTION/REMARKS
	HEAT TREAT	DRN. KIRK C KOONS CHK'D. KCK	DATE 12.12.14 DATE 12.12.14		 DANIELS MANUFACTURING CORP. ORLANDO, FLORIDA CAGE 11851
DO NOT SCALE DRAWING	FINISH	APP'D.	DATE	TITLE	
		APP'D.	DATE	STRAP WRENCH ASSEMBLY ENVELOPE DRAWING	
		NOTE:		WHERE USED:	
		THIS DRAWING IS AN OUTLINE DRAWING OF THE RESPECTIVE DMC PART NUMBER INDICATED. ACTUAL DMC PART NUMBER IS DRAWING NUMBER WITHOUT THE "-ENV" SUFFIX.		SIZE B	SCALE NTS
		POSTING	CAD P/N	SHEET 1	OF 1
			BT-BS-610SST-ENV		
			DWG. NO.	REV.	
			BT-BS-610SST	1	