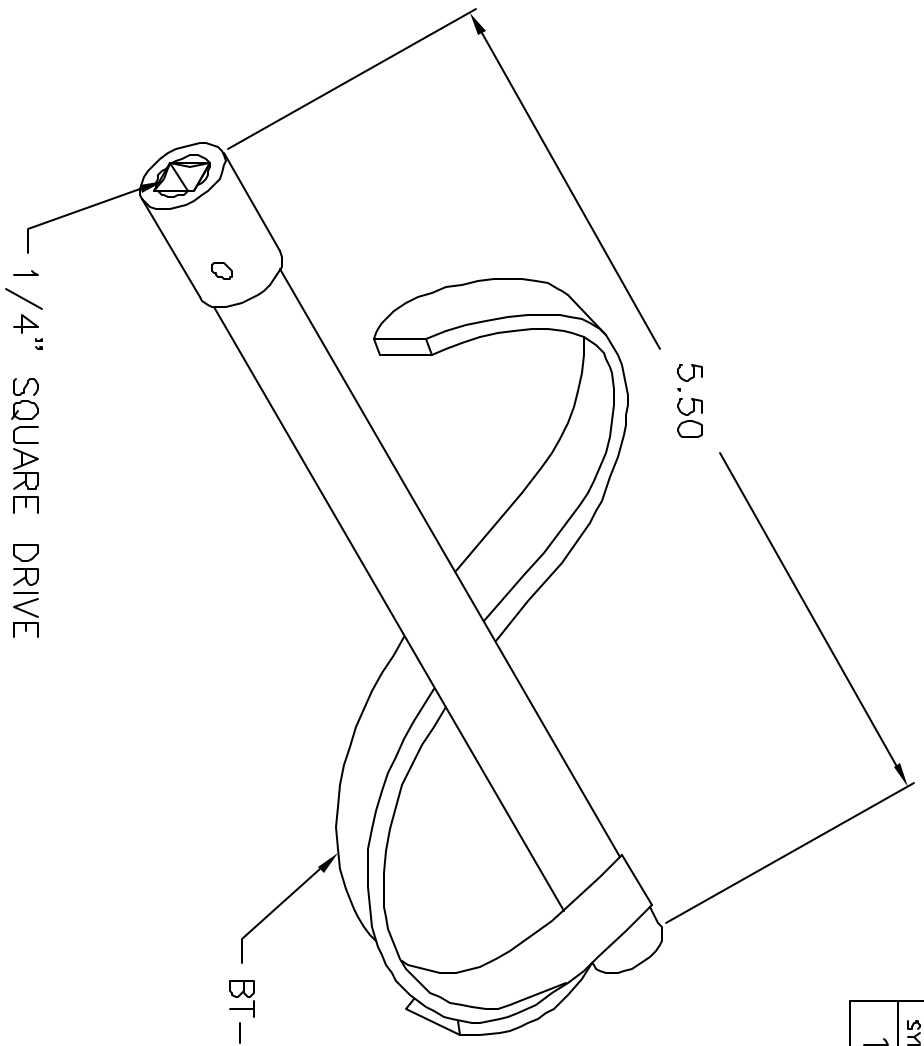



REVISIONS				
REV. SYM.	E.C.O. NUMBER	DESCRIPTION	BY DATE	APP'D DATE
1		ORIGINAL RELEASE	JWJ 7/10/01	RRR 7/10/01

**UNCONTROLLED DOCUMENT  
WILL NOT BE UPDATED**



BT-A-6300 STRAP

MATERIAL		ITEM		PART NO.		QTY.		DESCRIPTION/REMARKS	
HEAT TREAT		DRN. J. JOYCE		DATE 7/10/01		DATE 7/10/01		 DANIELS MANUFACTURING CORP. ORLANDO, FLORIDA GAGE 11851	
FINISH		CHK'D. RRR		DATE 7/10/01		DATE 7/10/01			
APP'D.		APP'D.		DATE		DATE		TITLE	
RESTRICTED & CONFIDENTIAL		CONFIDENTIAL PROPERTY OF DANIELS MANUFACTURING CORP. NOT TO BE DISCLOSED TO OTHERS. REPRODUCED OR USED FOR ANY OTHER PURPOSE EXCEPT AS AUTHORIZED IN WRITING BY DANIELS MANUFACTURING. MUST BE RETURNED TO DANIELS MANUFACTURING CORP. ON COMPLETION OF ORDER OR OTHER PURPOSES FOR WHICH LENT.		WHERE USED:		90° STRAP WRENCH ENVELOPE DRAWING		SHEET 1 OF 1	
DO NOT SCALE DRAWING		APPROVALS		SIZE A		SCALE NTS		POSTING	
				BT-BS-630-ENV		BT-BS-630-ENV		REV. 1	